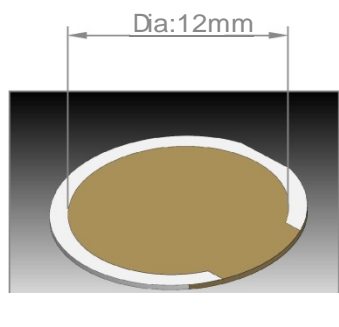
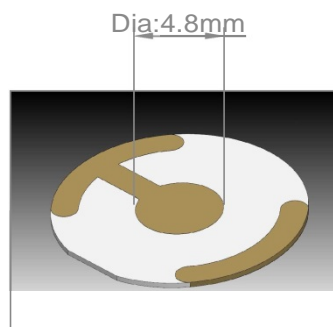


ITO QCM SENSOR CHIP

Diameter 14mm



FRONT side (sensing side)



REAR side (electrical contact side)

Nominal frequency:	4950±50KHz
Crystal cutting:	AT
Material:	Pure Z quartz
Angle:	35° 15'±30'
XX' Angle:	0°00'±30'
Quartz diameter:	14mm
Electrode on the sensor side:	ITO
Electrode on the contact side:	ITO (see below)
Apperance:	Transparent in the visible

Available contact electrode configurations on the rear side

