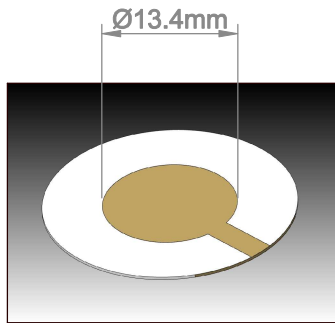
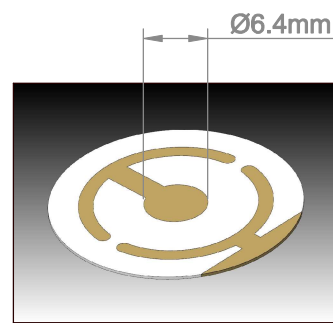


ITO QCM SENSOR CHIP

for the SRS QCM system(www.thinksrs.com)



FRONT side(sensing side)



REAR side(electrical contact side)

Nominal frequency:	5050±10KHz
Crystal cutting:	AT
Material:	Pure Z quartz
Angle:	35° 15'±30'
XX' Angle:	0°00'±30'
Quartz diameter:	25.4+0/-0.05 mm
Electrode on the sensor side:	ITO
Electrode on the contact side:	ITO
Apperance:	Transparent in the visible

Available contact electrode configurations on the rear side

