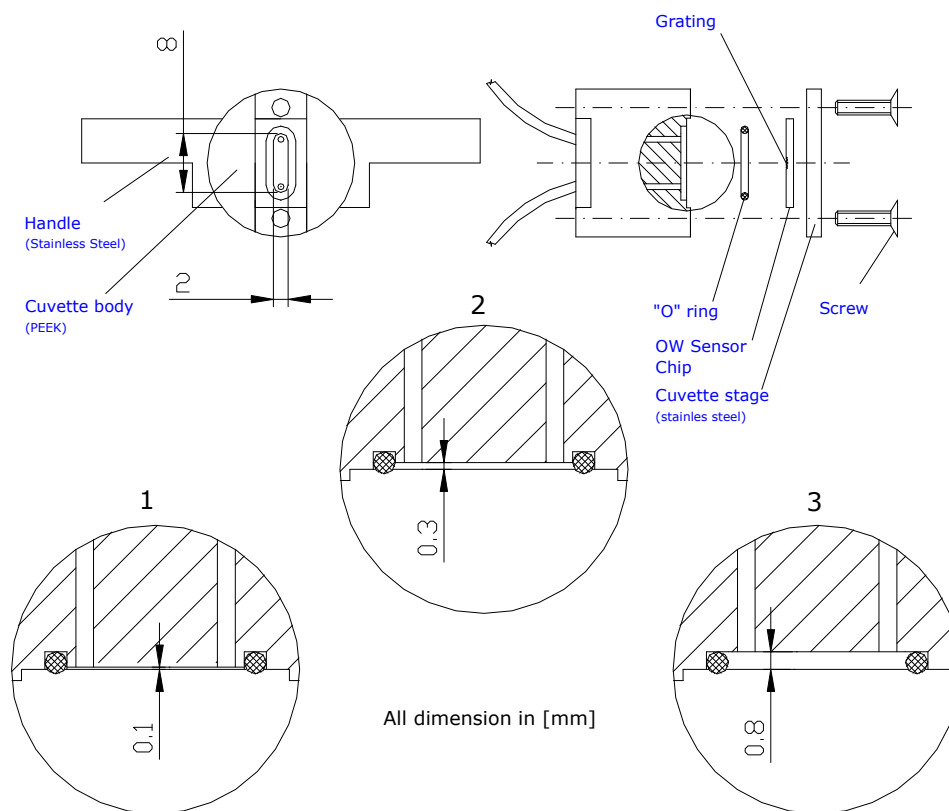


## SH-0812 INTEGRATED SENSOR HOLDER



**Model: SH-0812**

Integrated sensor holder with flow through cuvette made from PEEK with Kalrez O ring

### Description:

The glass sensor chip (size 8mm x 12 mm) is placed on the sensor holder and tightened to its sealing O-ring. The sensor holder forms a cuvette above the glass sensor. The sensor holder is made from biocompatible PEEK material, the O ring is made from Kalrez and the tubings are made from Teflon. The glass sensor chip and the sensor holder form an integrated unit, which is placed in the OWLS instrument during measurement. Integrated sensor holders with different cuvette volumes are available.

	Type	Depth [mm]	Volume [ $\mu$ l]	Area [mm <sup>2</sup> ]
1	SH-0812-01	0.1	1.5	15.1
2	SH-0812-03	0.3	4.5	
3	SH-0812-08	0.8	12	