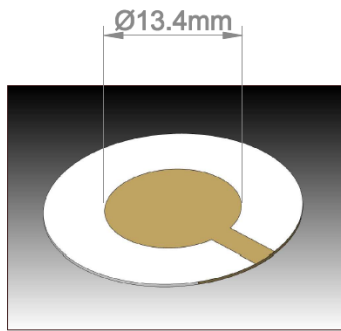
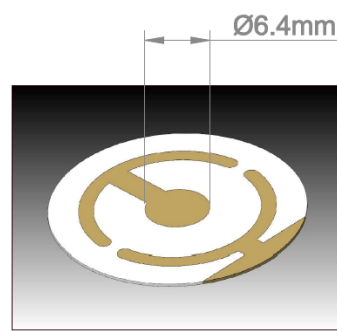


ITO QCM SENSOR CHIP

Diameter 25.4mm for SRS QCM system



FRONT side (sensing side)



REAR side (electrical contact side)

Nominal frequency:	5050±10KHz
Crystal cutting:	AT
Material:	Pure Z quartz
Angle:	35° 15'±30'
XX' Angle:	0°00'±30'
Quartz diameter:	25.4 +0/-0.05 mm
Electrode on the sensor side (wrap around):	ITO
Electrode on the contact side:	ITO
Appearance :	Transparent in the visible