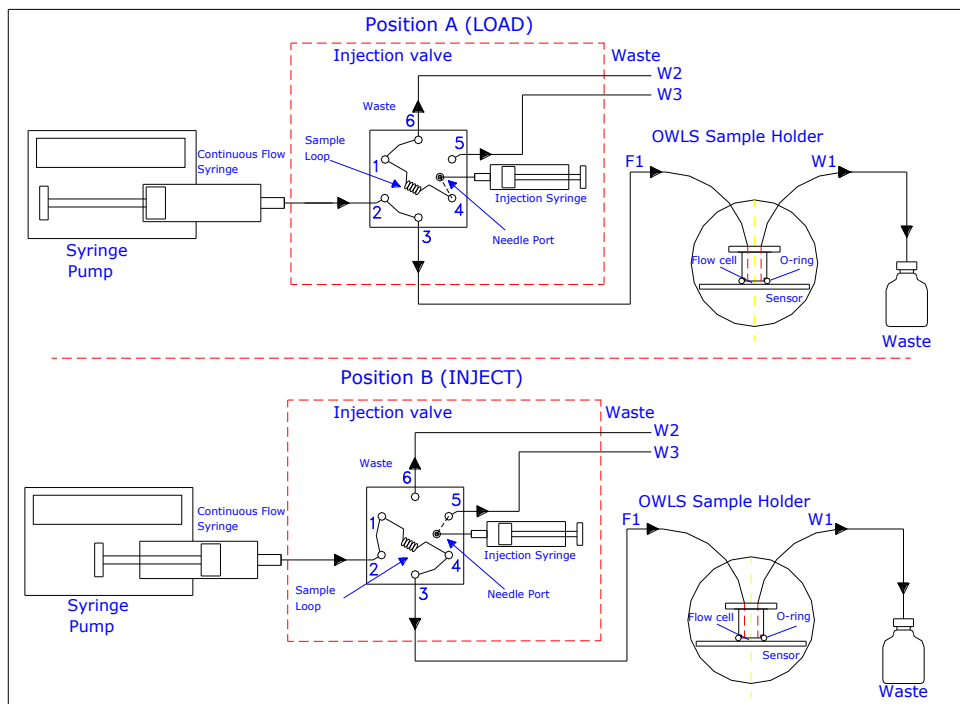


SIS-06 SAMPLE INJECTION SUBUNIT



Model: SIS- 06

Sample Injection Subunit with Syringe Pump

Description:

SIS-06 subunit provides bubble-free, controlled flow rate fluid supply through the flow-cell of the sensor holder with flow rate setting in the range of 0.01 μ l/min - 35ml/min. Selectable 20 μ l - 200 μ l sample loop is offered for controlled-volume sample injection with Rheodyne Model 9725 injector valve. The syringe pump (Type: NE-1000) is a stand alone unit controlled manually or by PC commands.